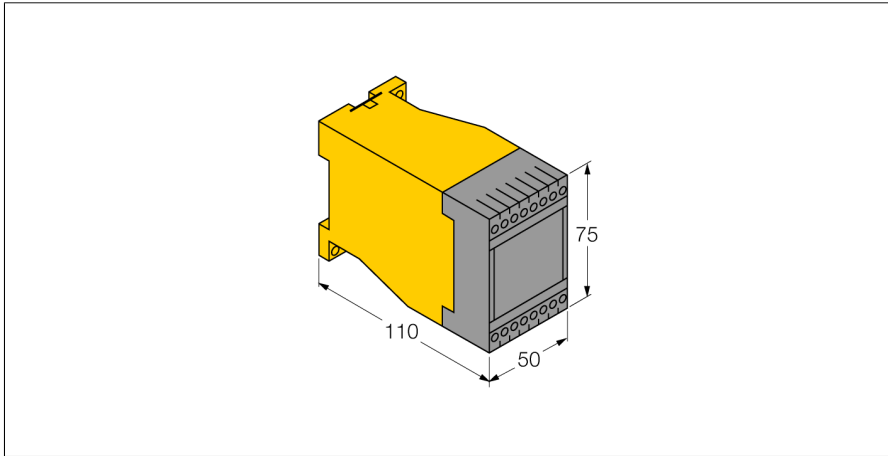
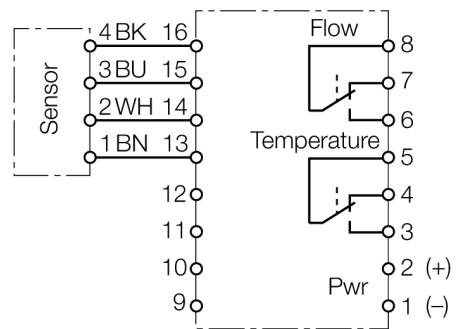


**Flow monitoring**  
**MS96 for flow sensors**  
**MS96-12R/024VDC**



- For connection of a standard flow sensor
- Adjustment via potentiometer
- 6 LEDs for display of the flow state
- Temperature monitoring adjustable -20...+100 °C
- Switch-off delay adjustable 0...25 s
- Wire-break monitoring
- 19...29 VDC
- 2 relay outputs for flow and temperature

**Wiring Diagram**



**Functional principle**

Signal processors not only supply insertion and inline sensors with voltage, they also process and display the measured signals. Devices with MK96..., MS96... and MC96... housing styles are available. The individual housing styles are designed for different operating voltages and feature various output and supplementary functions. For intrinsically safe flow sensors it is required to use signal processors with intrinsically safe control circuits of the series MS96...Ex... and MC96...Ex...

<b>Type designation</b>	MS96-12R/024VDC
Ident-No.	5231007
<b>Operating voltage</b>	19...29 VDC
<b>Design</b>	Terminal chamber
Dimensions	110 x 50 x 75 mm
Housing material	Polycarbonate/ABS
Electrical connection	Terminal chamber
Protection class	IP20
Packaging unit	terminals / housing (IEC 60529 / EN 60529) 1